

# MILK COOLING TANK WITH DIRECT EXPANSION

## OM/DX 300 - 3400 L

# Fullwood Packo



### Construction

- Construction completely made in stainless steel 18/10 – AISI 304
- Insulated with polyurethane for an excellent insulation and extra strength of the tank
- Horizontal tank with an efficient laser welded multi-injection evaporator; thanks to the free circulation and a good agitation of the milk there is an optimal heat exchange
- Space-saving, ergonomic design
- The U-shape allows easy but thorough cleaning with a minimum of effort
- Cover mounted on pneumatic springs, allowing easy and safe opening and closing of the tank
- Efficient agitator mixes even small quantities of milk
- Standard outlet Ø 50 mm with butterfly valve

### Cooling

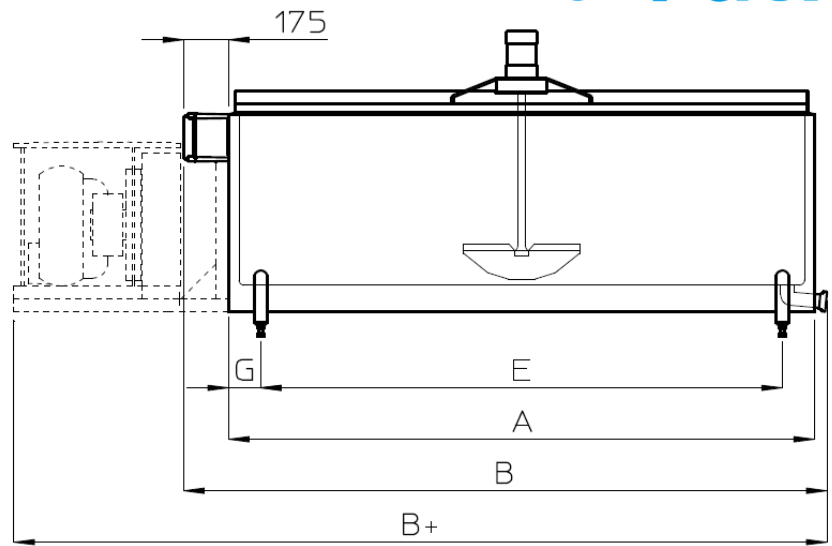
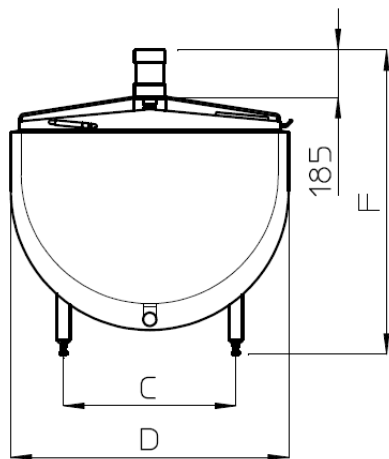
- Fast cooling without any risk on freezing of even the smallest quantities of milk
- PCV2-2 control unit ensures a qualitative milk cooling
- Digital temperature indication with large LED-display

### Important options

- Integrated cooling unit
- Calibration
- Automatic cleaning



## DIMENSIONS OM/DX



Model	Max. vol.	A	B	B+	C	D	E	F	G	Agitator	Legs	Weight
OMDX	litres	mm	mm	mm	mm	mm	mm	mm	mm	#	#	kg
300	318	805	1 048	1 592	580	880	555	1511 - 1556	125	1	4	120
450	476	1 179	1 422	1 966	580	880	928	1517 - 1562	125	1	4	136
600	635	1 529	1 772	2 316	580	881	1 278	1524 - 1569	125	1	4	156
800	843	1 578	1 821	2 508	670	1 080	1 328	1534 - 1579	125	1	4	184
1000	1054	1 928	2 171	2 858	670	1 080	1 678	1871 - 1916	125	1	4	210
1200	1264	2 278	2 518	3 208	670	1 080	2 028	1887 - 1932	125	1	4	230
1500	1697	1 943	2 182	2 873	800	1 437	1 668	1869 - 1914	138	1	4	260
1800	1930	2 327	2 566	3 257	800	1 437	2 052	1876 - 1921	138	1	4	290
2300	2385	2 676	2 915	3 654	800	1 438	2 401	1883 - 1928	138	1	4	330
2750	2821	3 178	3 415	4 316	800	1 438	1 450	2086 - 2130	140	2	6	415
3400	3520	3 178	3 415	4 316	800	1 438	1 452	2096 - 2141	138	2	6	447

Available in 2 & 4 milkings

B+ : with incorporated cooling unit

### Fullwood Packo nv

Torhoutsesteenweg 154 - 8210 Zedelgem - Belgium

T +32 50 25 06 10 - E [cooling@fullwoodpacko.com](mailto:cooling@fullwoodpacko.com)

[www.packocooling.com](http://www.packocooling.com)