

## MILK COOLING TANK WITH ICE WATER COOLING RM/IB 1600 - 7150 L



### Construction

- Construction completely made in stainless steel 18/10 – AISI 304
- Insulated with polyurethane for an excellent insulation and extra strength of the tank
- Horizontal tank with integrated ice builder with an ice storage for minimum 1 milking
- Tank outlet Ø 80 mm, self-cleaning outlet with butterfly valve Ø 80 mm and a truck connection Ø 80 / 65 or 50 mm
- All models have a stainless steel ladder

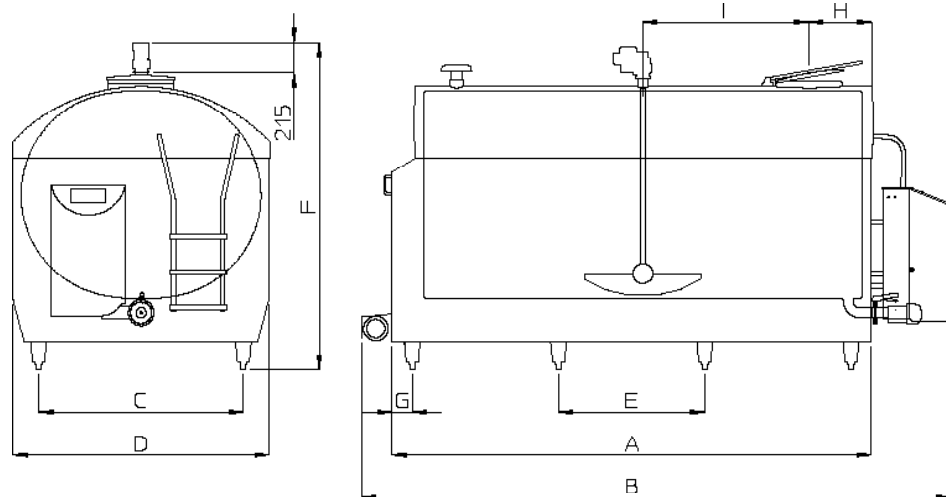
### Cooling and cleaning

- Thanks to the progressive iControl tank control unit the milk quality is assured
- Fast cooling without any risk on freezing of even the smallest quantities of milk
- Full automatic logging of the cooling, agitation, cleaning and potential alarms
- Eco-wash integrated for less water use and saving time during cleaning (up to 50% savings)
- Two automatic dosing pumps for detergents
- Detection 'nearly empty' for two detergent containers
- Dynamic Fullwood Packo-ROTOJET® cleaning system with spray balls built in the agitator paddle
- Vertical mounted stainless steel cleaning pump, no risk of freezing

### Important options

- Oculus tank guard
- Tank executed for robotic milking
- Bottom filling
- Eco-drain (second drain valve)
- Messages via SMS
- PACAP digital volume measurement

# DIMENSIONS RM/IB



## Dimensions RM/IB - T2

Model	Max. vol.	A	B	C	D	E	F	G	H	I	# Legs	Weight
RMIB	litres	mm	mm	mm	mm	mm	mm	mm	mm	mm		kg
1600	1674	2185	2826	952	1300	1895	1825 - 1945	145	445	572	4	464
2200	2237	2818	3459	952	1300	1264	1825 - 1945	145	445	890	6	584
2800	2813	2010	2651	1440	1800	860	2179 - 2299	145	450	493	6	682
3300	3367	2350	2991	1440	1800	1030	2179 - 2299	145	450	655	6	750
3800	3881	2664	3305	1440	1800	1187	2179 - 2299	145	450	812	6	830
4400	4484	3034	3675	1440	1800	1372	2179 - 2299	145	450	997	6	980
5000	5039	3374	4015	1440	1800	1028	2179 - 2299	145	450	1167	8	1076
6000	6148	4035	4676	1440	1800	1237	2173 - 2293	145	450	688	8	1240

## Dimensions RM/IB - T4/T6

Model	Max. vol.	A	B	C	D	E	F	G	H	I	# Legs	Weight
RMIB	litres	mm	mm	mm	mm	mm	mm	mm	mm	mm		kg
1600	1674	2185	2826	952	1300	1895	1630 - 1750	145	445	572	4	429
2200	2237	2818	3459	952	1300	1264	1630 - 1750	145	445	890	6	525
2800	2813	2010	2651	1440	1800	860	1996 - 2116	145	450	493	6	601
3300	3367	2350	2991	1440	1800	1030	1996 - 2116	145	450	655	6	655
3800	3881	2664	3305	1440	1800	1187	1996 - 2116	145	450	812	6	730
4400	4484	3034	3675	1440	1800	1372	1996 - 2116	145	450	997	6	860
5000	5039	3374	4015	1440	1800	1028	1996 - 2116	145	450	1167	8	940
6000	6150	3374	4015	1440	1800	1028	2269 - 2389	145	450	688	8	1050
7150	7320	4001	4642	1440	1800	1237	2269 - 2389	145	450	1167	8	1300
9650	9899	4001	4641	1510	2244	800	2269 - 2389	370/430	450	688	10	1700
12400	12540	5041	5682	1510	2244	800	2269 - 2389	521	450	553	12	1930
15400	15772	6217	6858	1510	2244	800	2269 - 2389	187/430	450	813	16	2240

All the above values are for tanks with the iControl Eco-wash control unit and a standard self-cleaning outlet (NW50, NW65 or NW80) Other outlet options on request

- With PCV3 control unit: B - 190 mm
- With bottom filling - 1 supply line: B + 60 mm
- F = min. and max. height leg screw when installing the tank under 2% slope
- With the tank guard Oculus: F + 25 mm
- With volume measurement Pacap: F + 15 mm

### RM/IB 1600-5000 and RM/IB 6000 T4/T6

1 agitator with 1 built-in ROTOJET-spray ball

### RM/IB 6000 T2 - RM/IB 7150 - 15400 T4/T6

2 agitators with 4 built-in ROTOJET-spray balls

### Fullwood Packo nv

Torhoutsesteenweg 154 - 8210 Zedelgem - Belgium

T +32 50 25 06 10 - E [cooling@fullwoodpacko.com](mailto:cooling@fullwoodpacko.com)

[www.packocooling.com](http://www.packocooling.com)

Subject to modifications. Not contractually binding document.